

## **i-press Linemaster Range - Medium duty footswitches**

### General Description

For over 50 years customers have depended on the performance of LINEMASTER switches because they meet their demands and expectations with complete reliability and confidence. LINEMASTER designs and manufactures one of the most extensive footswitch ranges, with over 200 models used worldwide in medical, industrial and commercial applications.

The extensive Linemaster range offers the user the widest choice of foot controls, from heavy duty items suitable for press shop us, through medium duty items to the stylish lighter duty models particularly suited to the office or light assembly environment.

This document shows a selection of the standard 'Medium Duty' items, however if you require something uniquely tailored to your own specification, then this is where the Linemaster products can excel.

- Special finishes and colour co-ordination
- Special materials
- Special labelling
- Connecting cables, plugs and interfaces
- Multi-pedal assemblies
- IP68 interiors



Size approx 121 x 109 x 41d

*"Side to side operation"*

### EXECUTIVE

UL 508 & 1054, CSA #14 & #55, EN 61058-1, CE to BS EN 60947-5-1

IP20 finger proof

**Rocker type construction for controlling two independent functions, ensures that only one function can be operated at a time (side to side action)**

- Heavy gauge sheet steel base plate with cast actuating cover, finished medium grey.
- Single body ergonomic and cost effective design.
- Anti-skid base pad
- Internal connections can be made between the two independent switching blocks, resulting in the need for only one connecting cable.
- Suitable for use with an external shield (see page 3)

Format	Operation	Cat. No	Electrical Ratings
SPDT Each side	Momentary	<b>72</b>	10A 125/250V AC, 1/2 H.P. 125/250V AC 10(3)A 250V
DPDT Each side	Momentary	<b>74</b>	



Size approx 221 x 89 x 54d

*"Heel & toe operation"*

### DUPLEX

UL 508 & 1054, CSA #14 & #55, EN 61058-1, CE to BS EN 60947-5-1

IP20 finger proof

**Rocker type construction for controlling two independent functions, ensures that only one function can be operated at a time. Similar to the Executive range, but operates front to back.**

- Cast aluminium housing finished in lack. Fitted with anti-skid base pad.
- Smooth 'heel and toe' operation.
- Supplied with an adjustable strain relief connector, which is able to accept a wide variety of cable sizes.

Format	Operation	Cat. No	Electrical Ratings
SPDT Each side	Momentary	<b>476-S</b>	15A 125/250V AC, 1/2 H.P. 125/250V AC

# Technical Data Sheet

## i-press Linemaster Range - Medium duty footswitches



Size approx 177 x 107 x 67d

*"Immersion proof"*

### CLASSIC III

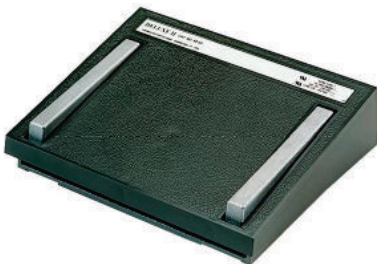
UL 508 & 1054, CSA #14 & #55, EN 61058-1, CE to BS EN 60947-5-1

IP68 immersion proof

**Designed for general industrial use where a high level of ingress protection is required.**

- Cast aluminium body & treadle. Aluminium base plate with non-skid feet.
- IP68 sealing for the most onerous of environments.
- Meets the requirements of IEC 601-2-2 for medical use.
- Shielded models available.
- Single M20 entry.
- Other Classic models are available which can accommodate reed switch interiors, solid state switching and many other special features.

Format	Operation	Cat. No	Electrical Ratings
SPDT	Momentary	<b>88SNN1</b>	20A 125/250V AC, 1 H.P. 125/250V AC 20(3)A 250V
SPDT each side	Momentary	<b>TWIN 88SNN1</b>	
DPDT	Momentary	<b>88SNN2</b>	
DPDT each side	Momentary	<b>TWIN 88SNN2</b>	



Size approx 175 x 144 x 43d

*"Up to three pedal operation"*

### DELUXE II

UL 508 & 1054, CSA #14 & #55, EN 61058-1, CE to BS EN 60947-5-1

IP20 finger proof

**Unique multi-pedal design combining goods looks with economy.**

- Die-cast base and side pedals with high impact moulded cover. Includes anti-skid base pad.
- Low profile reduces operator fatigue.
- Real flexibility in a small package is achieved by adding either one or both side pedals to the central actuating cover. Each actuator operates a separate contact set.
- Design ensures the maximum separation between actuators.

Format	Operation	No. of Pedals	Cat. No.	Electrical Ratings
SPDT	Momentary	2	<b>68-S2</b>	10A 125/250V AC, 1/2 H.P. 125/250V AC 10(3)A 250V
SPDT	Momentary	3	<b>68-S3</b>	
SPDT	Momentary	2	<b>68-S3N*</b>	
DPDT	Momentary	2	<b>68-S4N*</b>	

\* Cover non-operative with side treadle bars active.



Size approx 141 x 83 x 38d

*"Low profile ergonomic design"*

### JUNIOR

UL 508 & 1054, CSA #14 & #55, EN 61058-1, CE to BS EN 60947-5-1

IP20 finger proof

**Low profile and sleek appearance, yet manufactured for strength and durability**

- Cast aluminium construction and finished in black. Fitted with anti-skid pad to minimise movement when in use.
- Low profile reduces operator fatigue.
- Supplied with an adjustable strain relief connector, which is able to accept a wide variety of cable sizes.

Format	Operation	Cat. No.	Electrical Ratings
SPDT	Momentary	<b>121-S</b>	20A 125/250V AC, 1 H.P. 125/250V AC, 20(3)A 250V
DPDT	Momentary	<b>124-S</b>	15A 125/250V AC, 1/2 H.P. 125/250V AC, 15(3)A 250V

# Technical Data Sheet

## i-press Linemaster Range - Medium duty footswitches

### LOOSE SHIELDS



522-B12

522-B14

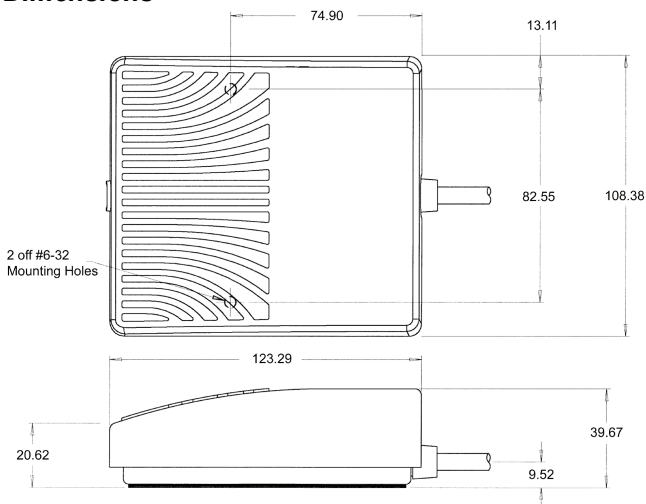
Size approx. Single 178 x 153 x 114d  
Twin 178 x 280 x 114d

Format	Cat. No
Single	<b>522-B14</b>
Twin	<b>522-B12</b>

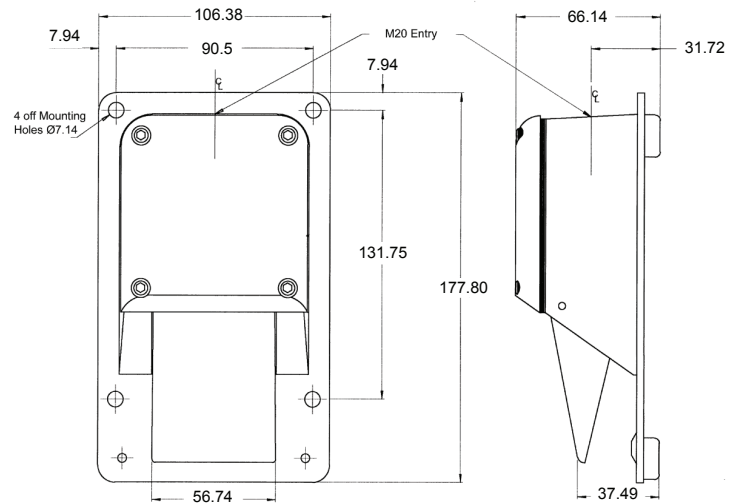
**Designed to add additional protection to specific ranges without in-built shield options.**

- Manufactured in heavy gauge sheet steel and finished 'Alert Orange' for added visibility.
- Single and twin treadle options.
- Pre-drilled and supplied complete with all necessary fixings.

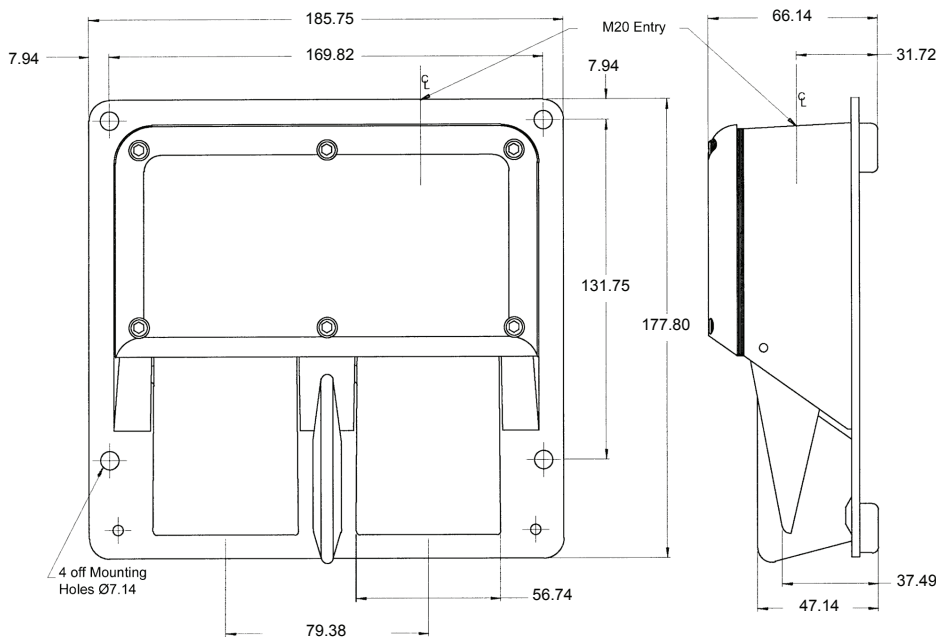
### Dimensions



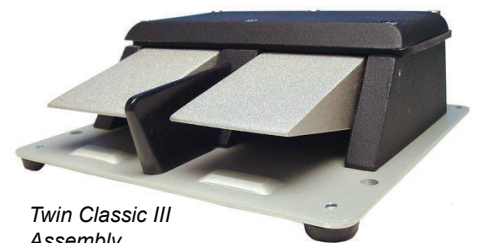
**Executive**



**Classic III**



**Twin Classic III**

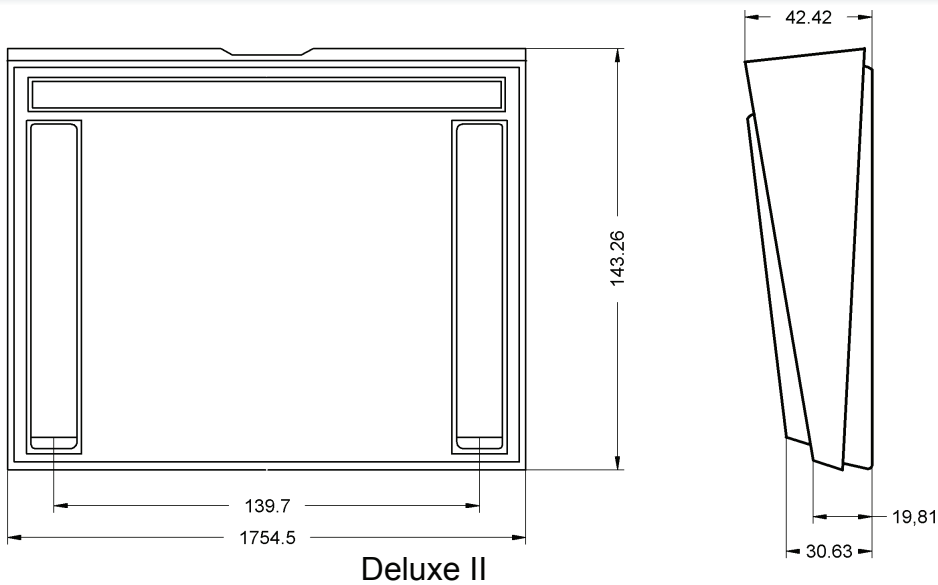
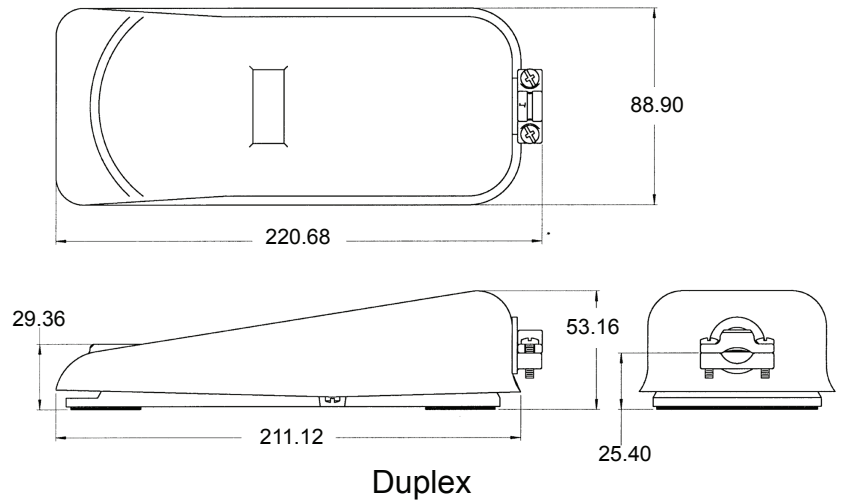


*Twin Classic III Assembly*

# Technical Data Sheet

## i-press Linemaster Range - Medium duty footswitches

### Dimensions Contd.



### OEM Applications

Give our technical sales a call to discuss your specific requirements. If you feel you need something a little special....

- Special finishes and colour co-ordination
- Connecting cables, plugs and interfaces
- Special materials
- Multi-pedal assemblies
- Special labelling
- IP68 interiors

.... and for added diversity, certain models are available with pneumatic interiors

