



The 'i-switch' die cast range provides the user with a product that will withstand a good deal of rough treatment. With sealing to IP65 these products can be placed in environments where resistance to impacts, moisture and dust/dirt are a concern.

A wide cross section of formats are available including changeover switch disconnecter options.

Padlocking - All items allow for the insertion of up to 3 padlocks in the 'Off' position. Standard hasp diameter Ø6.4

Safety Interlock - The range incorporates a mechanical interlock which, when a padlock is inserted, prevents the enclosure lid from being removed.

Auxiliary Contacts - The 'EB' addition to the catalogue numbers denotes the inclusion of 2 early break contacts. Additional auxiliary blocks can be fitted by the user to the 'CS' style interior switches with the following ratings:-

Ratings U_i - 690V, I_{th} - 10A, Operational Current - 8A (110V), 8A (220/240V), 3A (380/400V)

The 'EB' contacts on GX interiors are factory fitted and cannot be augmented by the user.

Switch disconnectors (O-I)

Rating	Format	Interior switch product range	Catalogue No.		Enclosure size
			Grey	Red	
25A	2P	CS25	SDDG252	SDDR252	A
	3P		SDDG253	SDDR253	
	3P + N*		SDDG253N	SDDR253N	
	3P + 2EB Aux		SDDG253EB	SDDR253EB	
20A	6P	GX20**	SDDG256	SDDR256	
	6P + 2EB Aux		SDDG256EB	SDDR256EB	
32A	2P	CS32	SDDG322	SDDR322	
	3P		SDDG323	SDDR323	
	3P + N*		SDDG323N	SDDR323N	
	3P + 2EB Aux		SDDG323EB	SDDR323EB	
40A	2P	CS40R	SDG402	SDR402	B
	3P		SDG403	SDR403	
	3P + 2EB Aux		SDG403EB	SDR403EB	
	3P + N*		SDG403N	SDR403N	
	4P	GX40	SDG404	SDR404	
	6P + 2EB Aux	R32**	SDG406EB	SDR406EB	

Changeover Switch disconnectors (I-O-II)

Rating	Format	Interior switch product range	Catalogue No.	Enclosure size
20A	2P	GX20	SCODDG252	A
	3P		SCODDG253	
	4P		SCODDG254	
40A	2P	GX40	SCODG402	B
	3P		SCODG403	
	4P	R32	SCODG404	

Accessories (Available for type 'CS' interiors only)

Description	Cat. No. 25A	Cat. No. 32A	Cat. No. 40A
Auxiliary Contact 2 Early Break	SAUX2EB		
Auxiliary Contact 1 N/O + 1 N/C	SAUXCO		
Neutral (Unswitched)	SNL25	SNL40	SNL40
Neutral (Switched)	SSP25	SSP40	SSP40

* Switched neutral (Early make, late break) ** EB auxiliary contacts are **fully rated**.

Design Features

Enclosure

- Material** Die cast Aluminium alloy LM24 (BS 1490)
- Finish** Grey - RAL 7035
Red - RAL 3020
- Entries** 2 x M20 on bottom face of enclosure as std.
Maximum no. of possible entries:-
Size A 6 (3 top+3 bottom)
Size B 8 (3 top+3 bottom +1 on each side)

Earthing Terminals are provided on both lid & base to allow full earth continuity to be maintained.

Mounting All fixings are internal but outside of the IP65 sealed area. Guide channels are provided to assist with the fixing screw location.

Terminal Markings Full details are provided on the installation instructions supplied with every item.

Technical Specification

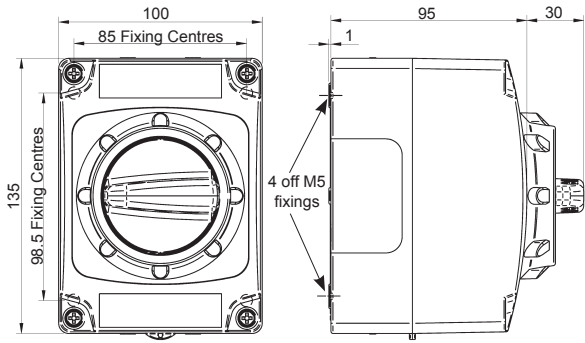
Data supplied against tests to IEC/BS EN 60947-3

Application	Sym.	Unit	Category	20A	25A	32A	40A	
Switch Product range		-		GX20	CS25	CS32	CS40R	GX40 R32
Rated thermal current	I_{the}	A		20	25	32	40	40
Rated insulation voltage	U_i	V		690	690	690	690	690
Rated impulse voltage	U_{imp}	kV		6.0	6.0	6.0	6.0	6.0
Rated operational power (3 phase AC)		kW	380/440V - AC23	7.5	11.0	15.0	15.0	18.5
			500V - AC23	7.5	15.0	15.0	15.0	-
			600V - AC23	7.5	15.0	15.0	15.0	-
Connecting capacity			Terminal type					
			mm ² Flexible cable	2.5 x 2	6.0	6.0	6.0	6 x 2
			mm ² Rigid cable	2.5 x 2	10.0	10.0	10.0	10 x 2
			Nm Tightening torque	1.0	1.2	1.2	1.2	1.0



Up to three padlocks can be accommodated in the 'OFF' position.

Dimensions



Size A

Size B

