

### 63A Switch Disconnectors Stainless Steel Enclosures



The use of stainless steel has always been synonymous with cleanliness, stain resistance etc. and the use of these Craig & Derricott switch disconnectors follows that theme. Equally at home in hospitals, food preparation areas, milk product plants, brewing, pharmaceuticals, chemical plants.....and areas with adverse environmental conditions.

#### Features:-

- Ratings to BS EN 60947-3  
Ith<sub>e</sub> - 63A, AC23A : 30kW at 415V
- Full range of disconnectors available in stainless steel enclosures 20A - 1000A
- Standard items available in 2, 3, 4 and 6 poles. 3 and 6 pole options with 2 early break (E/B) auxiliaries.
- Internal lid and base earthing points plus external M10 earth terminal.
- Flexible braids for earth continuity.
- Stainless steel external mounting straps. Slotted for ease of installation.
- Secure gland plate fixings.
- Interior switches are base mounted in the enclosure for ease of connection.
- Handles lockable in 'Off' & 'On' positions.
- Sealing to IP65.
- Smooth finish to reduce dirt catchment areas.
- Alternative door catches available for improved security.

#### Ordering Information:-

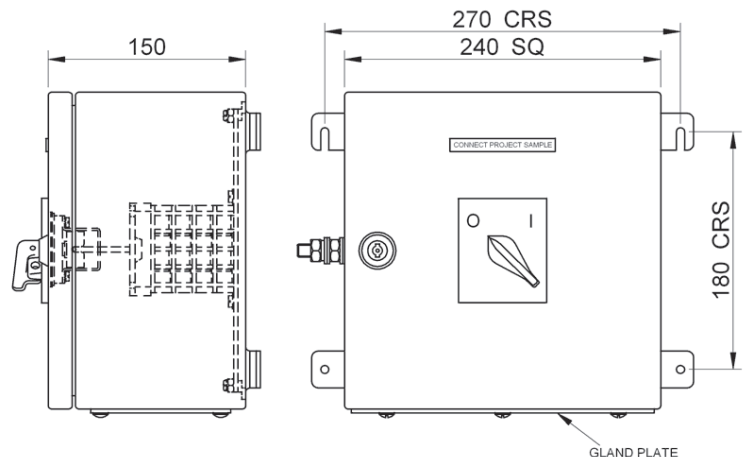
Configuration	Catalogue Number
2 Pole	DS632LUL10
3 Pole	DS633LUL10
3 Pole + 2 E/B Aux.	DS633EBLUL10
4 Pole	DS634LUL10
6 Pole	DS636LUL10
6 Pole + 2 E/B Aux.	DS636EBLUL10

To order a neutral link please include in ref as follows:-  
Example 6 pole + 2 E/B Aux + Neutral Link  
DS636EBNLLUL10

#### Spares

To order spare switch interiors, add suffix /INT to the part number as follows:-  
Example 3 pole  
DS633LUL10/INT

#### Dimensions:-



External Fixings - M6  
Termination - M6 Stud  
Maximum Cable Size - 25 mm<sup>2</sup>  
Approx. Wt - 4.5 kg