

## ‘Section 12’ Approved Isolators - 40A Die-cast Isolators

### 40A Switch Disconnectors

Die-cast Enclosures Finished RAL7035 (Light Grey)



Features:-

- Ratings to BS EN 60947-3  
Ith<sub>e</sub> 40A, AC23A : 15.0kW at 415V.
- Base mounting switch interiors.
- Standard items available in 2, 3, 4 and 6 poles.  
3 and 6 pole options with 2 early break (E/B) auxiliaries.
- Neutral links form part of the switch interior.
- 2 x M20 tapped cable entries (1 off plugged)
- Enclosure material - Aluminium (LM6).
- Sealing to IP65.
- Paint finish:-  
Copon 35TR or 38TR system  
Colour - RAL7035 (Light Grey)
- Supplied with pre-finished steel mounting brackets.
- Captive lid fixing screws with security head.
- Padlocking cast lever.
- Positive break contacts.
- A maximum of 8 contacts available in the 40A size.  
(Additional with cast extensions to increase depth)
- Earthing points on both lid and enclosure base plus external M10 earth terminal.
- Padlocking in both ‘On’ & ‘Off’ positions
- Labels - Engraved traffolyte labels in various colours can be mounted on the enclosure lid, or supplied loose for mounting adjacent to the isolator.
- Second product label supplied loose for fitting by contractor where original label may be obscured.

Ordering Information:-

Configuration	Catalogue Number
2 Pole	DCG402LUL10
3 Pole	DCG403LUL10
3 Pole + 2 E/B Aux.	DCG403EBLUL10
4 Pole	DCG404LUL10
6 Pole	DCG406LUL10
6 Pole + 2 E/B Aux.	DCG406EBLUL10

To order a neutral link please include in ref as follows:-

Example 3 pole + Neutral Link

DCG403NLLUL10

\*To order the enclosure finished RED, please replace the G with R eg:- DCR406LUL10

#### Spares

To order spare switch interiors, add suffix /INT to the part number as follows:-

Example 3 pole

RTB4021/HPD10/GY/LUL/INT

Set of 4 off security lid fixing screws

Order code **R40/SEC/FIX**

Security screwdriver bit

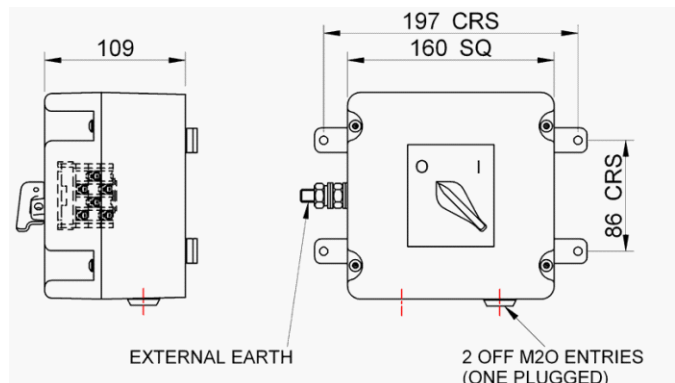
Order code **R40/SEC/SCREWBIT**

Touch-up paint

Order code **COPON/LUL/DAGRY**

Dimensions:-

Overall Depth - 140



Termination - M4

Maximum Cable Size - 6 mm<sup>2</sup>

External Fixings - M6

Weight - Approx. 2.5kg