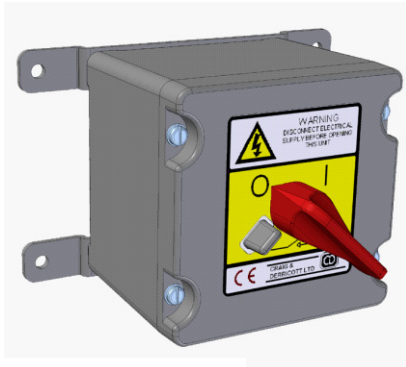


‘Section 12’ Approved Isolators - 25A Die-cast Isolators

25A Switch Disconnectors

Die-cast Enclosures Finished RAL7035 (Light Grey)



The die-cast range of switch disconnectors from Craig & Derricott provides the ultimate in strength and flexibility for today's industrial installations.

Available in both 25A and 40A ratings, the options available will cover the majority of applications found in a typical site project.

Years of being at the forefront of switch disconnector manufacture has enabled us to provide the very best in quality and reliability.

Features:-

- Ratings to BS EN 60947-3
Ith_e 25A, AC23A : 9.5kW at 415V.
- Standard items available in 2, 3, 4 and 6 poles.
3 and 6 pole options with 2 early break (E/B) auxiliaries.
- Captive lid fixing screws with security head.
- 2 x M20 tapped cable entries (1 off plugged)
- Enclosure material - Aluminium (LM6).
- Sealing to IP65.
- Paint Finishes -
Copon 35TR or 38TR systems
Colour - Light Grey (RAL7035)
- Supplied with pre-finished steel mounting brackets
- Neutral links form part of the switch interior.
- Padlocking cast lever.
- Positive break contacts.
- A maximum of 8 contacts available in the 20A size.
- Earthing points in both lid and enclosure base plus external M6 earth terminal.
- Padlocking in both ‘On’ & ‘Off’ positions
- Labels - Engraved traffolyte labels in various colours can be supplied attached to the side of the enclosure, or supplied loose for fitting adjacent to the isolator.
- Second product label supplied loose for fitting by contractor where original label may be obscured.

Ordering Information:-

Configuration	Catalogue Number
2 Pole	DCG252LUL10
3 Pole	DCG253LUL10
3 Pole + 2 E/B Aux.	DCG253EBLUL10
4 Pole	DCG254LUL10
6 Pole	DCG256LUL10
6 Pole + 2 E/B Aux.	DCG256EBLUL10

To order a neutral link please include in ref as follows:-

Example 6 pole + Neutral Link

DCG256LUL10NL

To order the enclosure finished RED, please replace the G with R eg:- DCR252LUL10

Spares

To order spare switch interiors, add suffix

/INT to the part number as follows:-

Example 3 pole + EB

DCG253EBLUL10INT

Set of 4 off security lid fixing screws.

Order code **MR/SEC/FIX**

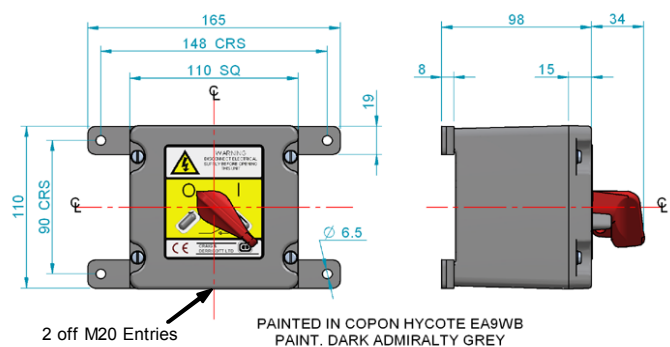
Security screwdriver bit

Order code **MR/SEC/SCREWBIT**

Touch-up paint.

Order code **COPON/LUL/DAGRY**

Dimensions:-



Termination - M4

Maximum Cable Size - 2.5 to 6.0mm²

External Fixings - M6

Weight - Approx. 1.4kg