

# T e c h n i c a l   D a t a   S h e e t

## Drivers Cab '304DK4' Series of Isolation Switches

### NEW Generation Combination Key Switch

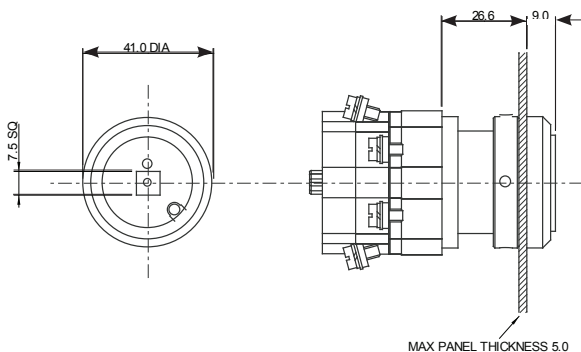
- 304DK4 series latching version
- Semi flush - single hole fixing
- 30.5 mm panel fixing
- Aluminium body
- RIA 20 approved



**The new generation of combination key switches are designed for isolation of defined circuits and functions. They provide the convenience of single hole fixing with the flexibility of operation by the gated combination key**

**Latching switches** provide all the features of the standard switches with the addition of a latch in the operated position. Reset to the normal position is only possible with a high security key actuator which is inserted from the front of the panel.

**The Switches** give a clear visual indication of normal and operated status and can be supplied with up to 20 normally open or normally closed contacts or any other combination. Bezels can be supplied matt black anodised or satin chrome.



#### Technical Data

<b>Termination</b>	M4 screw & washers
<b>Contact material</b>	Brass with fine silver contacts (gold plated available on request)
<b>AC23A BS EN 60947-3</b>	20A
<b>Short time with stand current (1sec)</b>	400A
<b>DC ratings available on request</b>	

**References are given here for simple two position standard switch sequences. Other switch sequences and configurations are also available. Versions for use with BR standard carriage and combination keys can be supplied to customer order.**

	Satin Chrome	Matt Black Bezel
2 pole normally open	304DK4-2NO	304DK5-2NO
3 pole normally open	304DK4-3NO	304DK5-3NO
4 pole normally open	304DK4-4NO	304DK5-4NO
6 pole normally open	304DK4-6NO	304DK5-6NO
2 pole normally closed	304DK4-2NC	304DK5-2NC
3 pole normally closed	304DK4-3NC	304DK5-3NC
4 pole normally closed	304DK4-4NC	304DK5-4NC
6 pole normally closed	304DK4-6NC	304DK5-6NC
2 n/o and 2 n/c	304DK4-2NO-2NC	304DK5-2NO-2NC
3 n/o and 3 n/c	304DK4-3NO-3NC	304DK5-3NO-3NC
4 n/o and 4 n/c	304DK4-4NO-4NC	304DK5-4NO-4NC
6 n/o and 6 n/c	304DK4-6NO-6NC	304DK5-6NO-6NC
High security reset key	CDK1	CDK1