

# Technical Data Sheet

## Drivers Cab '303DK1' Series of Isolation Switches

### NEW Generation Combination Key Switch

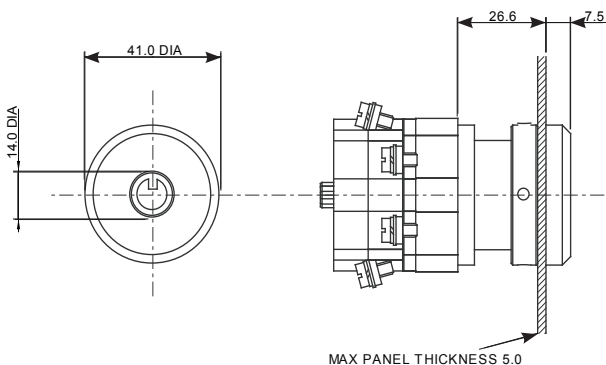
- 303DK1 series non latching version
- Semi flush - single hole fixing
- 30.5 mm panel fixing
- Aluminium body
- RIA 20 approved
- Ith 20A AC23A BS EN 60947-3
- Sealing to IP66



**The new generation of combination key switches are designed for isolation of defined circuits and functions. They provide the convenience of single hole fixing with the flexibility of operation by the 'B' end combination key.**

**Standard Switches** give a clear visual indication of normal and operated status and can be supplied with up to 20 normally open or normally closed contacts or any other combination. Bezels can be supplied satin chrome, stainless steel (for outdoor use) or anodised matt black.

**Switch Functions:-** Unrestricted 4 position (90 deg), unrestricted 8 position (45 deg), restricted movement or spring return.



#### Technical Data

<b>Termination</b>	M4 screw & washers
<b>Contact Material</b>	Brass with fine silver contacts (gold plated available on request)
<b>AC23A BS EN 60947-3</b>	20A
<b>Short time with stand current (1sec)</b>	400A
<b>DC ratings available on request</b>	

**References are given here for simple two position standard switch sequences. Other switch sequences and configurations are also available. Versions for use with BR standard carriage and combination keys can be supplied to customer order.**

	Satin Chrome	Matt Black
2 pole normally open	303DK1-2NO	303DK2-2NO
3 pole normally open	303DK1-3NO	303DK2-3NO
4 pole normally open	303DK1-4NO	303DK2-4NO
6 pole normally open	303DK1-6NO	303DK2-6NO
2 pole normally closed	303DK1-2NC	303DK2-2NC
3 pole normally closed	303DK1-3NC	303DK2-3NC
4 pole normally closed	303DK1-4NC	303DK2-4NC
6 pole normally closed	303DK1-6NC	303DK2-6NC
2 n/o and 2 n/c	303DK1-2NO-2NC	303DK2-2NO-2NC
3 n/o and 3 n/c	303DK1-3NO-3NC	303DK2-3NO-3NC
4 n/o and 4 n/c	303DK1-4NO-4NC	303DK2-4NO-4NC
6 n/o and 6 n/c	303DK1-6NO-6NC	303DK2-6NO-6NC