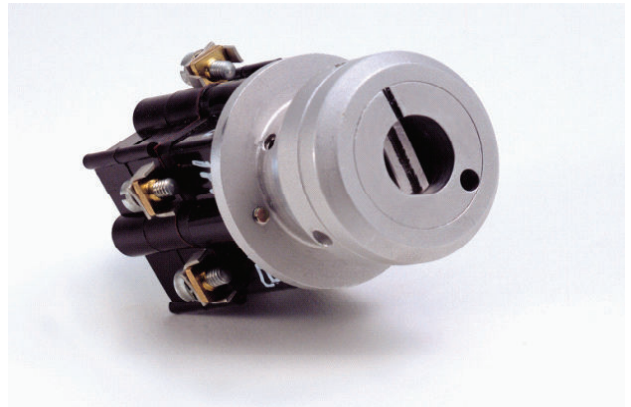


# T e c h n i c a l   D a t a   S h e e t

## Drivers Cab '301DK1' Series of Isolation Switches

### NEW Generation Combination Key Switch

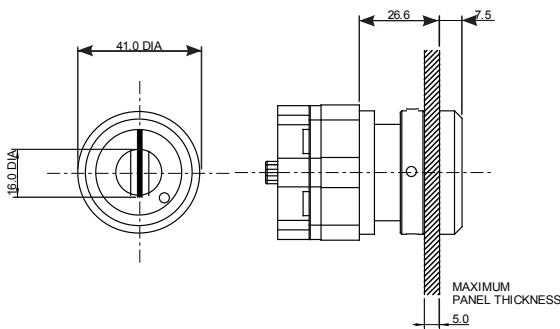
- 302DK1 series
- Latching & non latching versions
- Semi flush - single hole fixing
- 30.5 mm panel fixing
- Aluminium body
- RIA 20 approved
- Ith 20A AC23A BS EN 60947-3
- Access security from front of panel



**The new generation of drivers key switches are designed for isolation of defined circuits and functions. They provide the convenience of single hole fixing with the flexibility of operation by the drivers master key.**

**Standard Switches** give a clear visual indication of normal and operated status and can be supplied with up to 20 normally open or normally closed contacts or any other combination. Bezels can be supplied matt black anodised with

**Latching switches** provide all the features of the standard switches with the addition of a latch in the operated position. Reset to the normal position is only possible with a high security key actuator which is inserted from the front of the panel.



#### Technical Data

<b>Termination</b>	M4 screw & washers
<b>Contact Material</b>	Brass with fine silver contacts (gold plated available on request)
<b>AC23A BS EN 60947-3</b>	20A
<b>Short time with stand current (1sec)</b>	400A
<b>DC ratings available on request</b>	

**References are given here for simple two position standard switch sequences. Other switch sequences and configurations are also available. Versions for use with BR standard carriage and combination keys can be supplied to customer order.**

	Non Latching Satin Chrome	Non Latching Matt Black	Latching Satin Chrome	Latching Matt Black
2 pole normally open	301DK1-2NO	301DK2-2NO	302DK1-2NO	302DK2-2NO
3 pole normally open	301DK1-3NO	301DK2-3NO	302DK1-3NO	302DK2-3NO
4 pole normally open	301DK1-4NO	301DK2-4NO	302DK1-4NO	302DK2-4NO
6 pole normally open	301DK1-6NO	301DK2-6NO	302DK1-6NO	302DK2-6NO
2 pole normally closed	301DK1-2NC	301DK2-2NC	302DK1-2NC	302DK2-2NC
3 pole normally closed	301DK1-3NC	301DK2-3NC	302DK1-3NC	302DK2-3NC
4 pole normally closed	301DK1-4NC	301DK2-4NC	302DK1-4NC	302DK2-4NC
6 pole normally closed	301DK1-6NC	301DK2-6NC	302DK1-6NC	302DK2-6NC
2 n/o and 2 n/c	301DK1-2NO-2NC	301DK2-2NO-2NC	302DK1-2NO-2NC	302DK2-2NO-2NC
3 n/o and 3 n/c	301DK1-3NO-3NC	301DK2-3NO-3NC	302DK1-3NO-3NC	302DK2-3NO-3NC
4 n/o and 4 n/c	301DK1-4NO-4NC	301DK2-4NO-4NC	302DK1-4NO-4NC	302DK2-4NO-4NC
6 n/o and 6 n/c	301DK1-6NO-6NC	301DK2-6NO-6NC	302DK1-6NO-6NC	302DK2-6NO-6NC
High security reset key	—	—	CDK1	CDK1